

Datenblatt Windensteuerungs-Relais SW202C

Der SW202C ist ein Windensteuerungsrelais. Das Relais ist als kompletter Stromwender fertig aufgebaut.

Lieferbare Spulenvarianten: 12V oder 24V Ansteuerung, intermittierend duty (max. 70%ED) oder continuous duty (100%ED).

Zulässiger Dauerstrom: 250A

Lieferung in der 'Closed' Variante (keine freiliegenden Kontakte).

(c)2002 Power-Trax.de



offroad-spezialitäten

<http://www.power-trax.de>
info @ power-trax.de

tel.: +49 - (0)906 / 705 706 17
fax: +49 - (0)906 / 705 706 18

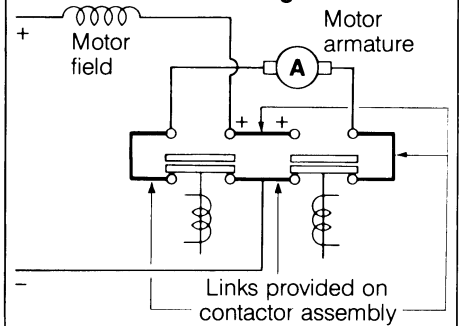
michael-imhof-str. 17
D-86609 donauwörth

SW202



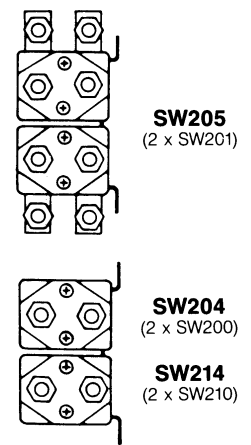
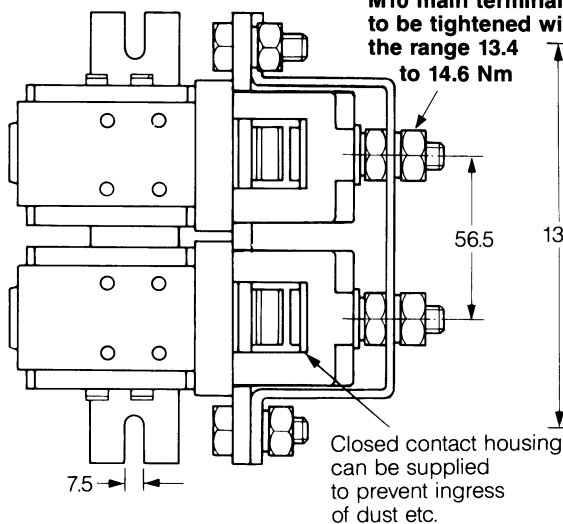
SW202

Paired Single Pole Double Throw Contactor. Complete with necessary links for motor reversing

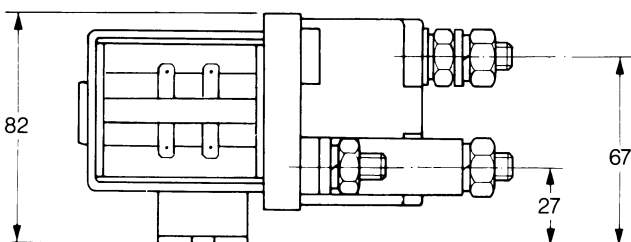


The contactors can be mounted either horizontally or vertically. If mounted vertically the contact studs must point upwards with the exception of the SW210 and its derivatives which should be mounted with the contact studs pointing downwards.

M10 main terminals to be tightened within the range 13.4 to 14.6 Nm



The paired contactors are fitted with mounting bracket as shown
Auxiliary contacts can be fitted as shown on SW200



SW202, 204, 205 AND 214

PLEASE NOTE
The Normally Closed contacts of the SW201 and SW202 are not designed to make and break current.

All dimensions in millimetres



PERFORMANCE DATA

Thermal current rating (100%)	250 Amperes
Intermittent current rating	
30% duty	450 Amperes
40% duty	390 Amperes
50% duty	360 Amperes
60% duty	320 Amperes
70% duty	300 Amperes
Typical fault currents which can be ruptured (5ms time constant)	
SW200N and SW210N	1500 Amperes at 48V D.C.
SW200 and SW210	1500 Amperes at 96V D.C.
SW201N* and SW202N*	1500 Amperes at 48V D.C.
SW201* and SW202*	1500 Amperes at 96V D.C.
* Normally open contacts, not normally closed contacts.	
Maximum recommended contact voltages	
SW200N and SW210N	48V D.C.
SW200 and SW210	96V D.C.
SW201N and SW202N	48V D.C.
SW201 and SW202	96V D.C.
Typical voltage drop across contacts per 100 Amperes	
SW200 and SW210	40mV
SW201 and SW202 (normally open contacts)	40mV
SW201 and SW202 (normally closed contacts)	40mV
Mechanical life	> 5 x 10 ⁶
Coil power dissipation	
Intermittently rated types	30-60 Watts
Continuously rated types	13-21 Watts
Maximum pull-in voltage (coil at 20°C)	
Intermittently rated types	60%V
Continuously rated types	66%V
Typical drop-out voltage	10-20%V
Typical pull-in time (n/o contacts to close)	40ms
Typical drop-out time (n/o contacts to open)	
Without suppression	10ms
With diode suppression	100ms
With diode and resistor (depending on value)	30ms
Typical main contact changeover time (SW201 and SW202)	
Normally closed to normally open	14ms
Normally open to normally closed	8ms
Typical contact bounce period	3ms
Auxiliary contact thermal current rating	5 Amperes
Auxiliary contact switching capacities (resistive load)	5A at 24V D.C. 2A at 48V D.C. 0.5A at 240V D.C.

