

# Datenblatt Windensteuerungs-Relais SW182C

Der SW182C ist ein Windensteuerungsrelais. Das Relais ist als kompletter Stromwender fertig aufgebaut.

Lieferbare Spulenvarianten: 12V oder 24V Ansteuerung, intermittierend duty (max. 70%ED) oder continuous duty (100%ED).

Zulässiger Dauerstrom: 150A

Lieferung in der 'Closed' Variante (keine freiliegenden Kontakte).

(c)2002 Power-Trax.de



power-trax.de

offroad-spezialitäten

http://www.power-trax.de  
info @ power-trax.de

tel.: +49 - (0)906 / 705 706 17  
fax: +49 - (0)906 / 705 706 18

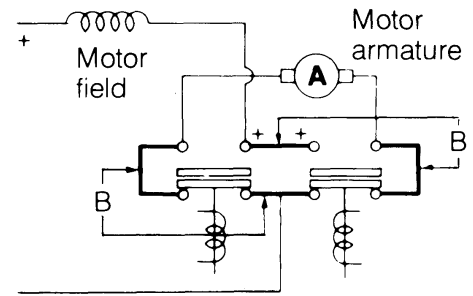
michael-imhof-str. 17  
D-86609 donauwörth



**SW182**  
Paired changeover contactor

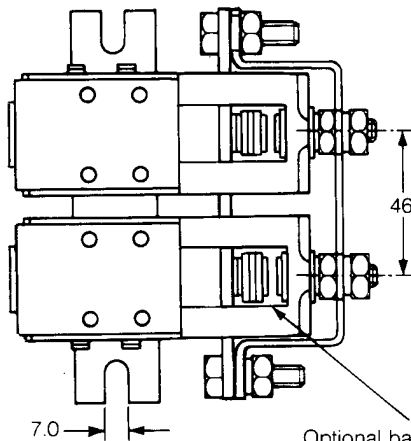
## SW182

**Paired Single Pole Double Throw Contactor. Complete with necessary links for motor reversing**

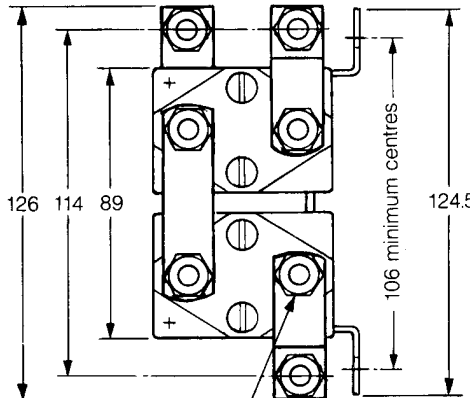


B = Links provided on contactor assembly

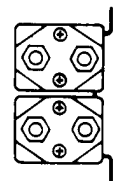
The contactors can be mounted either horizontally or vertically. If mounted vertically the contact studs must point upwards with the exception of the SW185 and its derivatives which should be mounted with the contact studs pointing downwards.



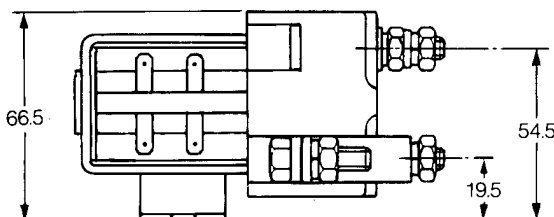
Optional barriers can be fitted here



**M8 main terminals to be tightened within the range 8 to 9.5 Nm**



**SW184**  
(2 x SW180)  
**SW189**  
(2 x SW185)



The paired contactors are fitted with mounting bracket as shown. Auxiliary contacts can be fitted as shown on SW180

**All dimensions in millimetres**

### PLEASE NOTE

**The Normally Closed contacts of the SW181 and SW182 are not designed to make and break current.**



## COIL RESISTANCES FOR POPULAR VOLTAGES

	12V DC	24V DC	36V DC	48V DC	60V DC	72V DC	80V DC
Intermittently rated coils (ohms)	5	17	44	73	102	150	212
Continuously rated coils (ohms)	13	44	102	150	282	427	427

## PERFORMANCE DATA

Thermal current rating (100%) 150 Amperes

Intermittent current rating  
 30% duty 275 Amperes  
 40% duty 240 Amperes  
 50% duty 225 Amperes  
 60% duty 200 Amperes  
 70% duty 180 Amperes

Typical fault currents which can be ruptured (5ms time constant)  
 SW180 and SW185 1000 Amperes at 48V D.C.  
 SW180B and SW185B 1000 Amperes at 96V D.C.  
 SW181\*, SW182\* and DC182\* 1000 Amperes at 48V D.C.  
 SW181B\*, SW182B\* and DC182B\* 1000 Amperes at 96V D.C.  
 SW190 and SW192 1000 Amperes at 80V D.C.  
 SW190B and SW192B 600 Amperes at 120V D.C.

\* Normally open contacts, not normally closed contacts.

Maximum recommended contact voltages  
 SW180 and SW185 48V D.C.  
 SW180B and SW185B 96V D.C.  
 SW181, SW182 and DC182 48V D.C.  
 SW181B, SW182B and DC182B 96V D.C.  
 SW190 and SW192 96V D.C.  
 SW190B and SW192B 120V D.C.

Typical voltage drop across contacts per 100 Amperes  
 SW180 and SW185 30mV  
 SW190 and SW192 (per pole) 40mV  
 SW181, SW182 and DC182 (normally open contacts) 30mV  
 SW181, SW182 and DC182 (normally closed contacts) 40mV

Mechanical life > 5 x 10<sup>6</sup>

Coil power dissipation  
 Intermittently rated types 30-40 Watts  
 Continuously rated types 10-15 Watts

Maximum pull-in voltage (coil at 20°C)  
 Intermittently rated types 60%V  
 Continuously rated types 66%V

Typical drop-out voltage 10-20%V

Pull-in time approx (n/o contacts to close) 30ms

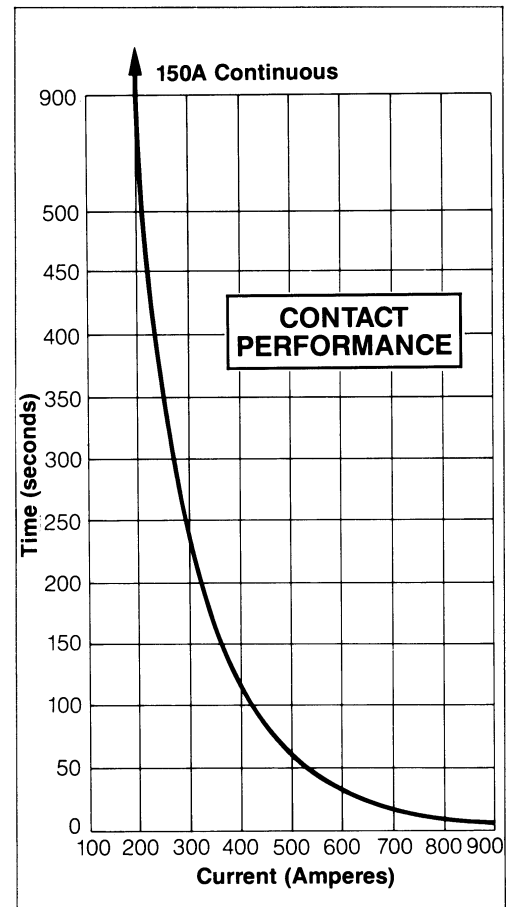
Drop-out time approx (n/o contacts to open)  
 Without suppression 8ms  
 With diode suppression 60ms  
 With diode and resistor (depending on value) 25ms

Main contact changeover time (SW181, SW182 and DC182)  
 Normally closed to normally open 12ms  
 Normally open to normally closed 5ms

Typical contact bounce period 3ms

Auxiliary contact thermal current rating 5 Amperes

Auxiliary contact switching capacities (resistive load)  
 5A at 24V D.C.  
 2A at 48V D.C.  
 0.5A at 240V D.C.



**All the performance data figures should be used as a guide only. Alternative ratings may be considered according to applications.**